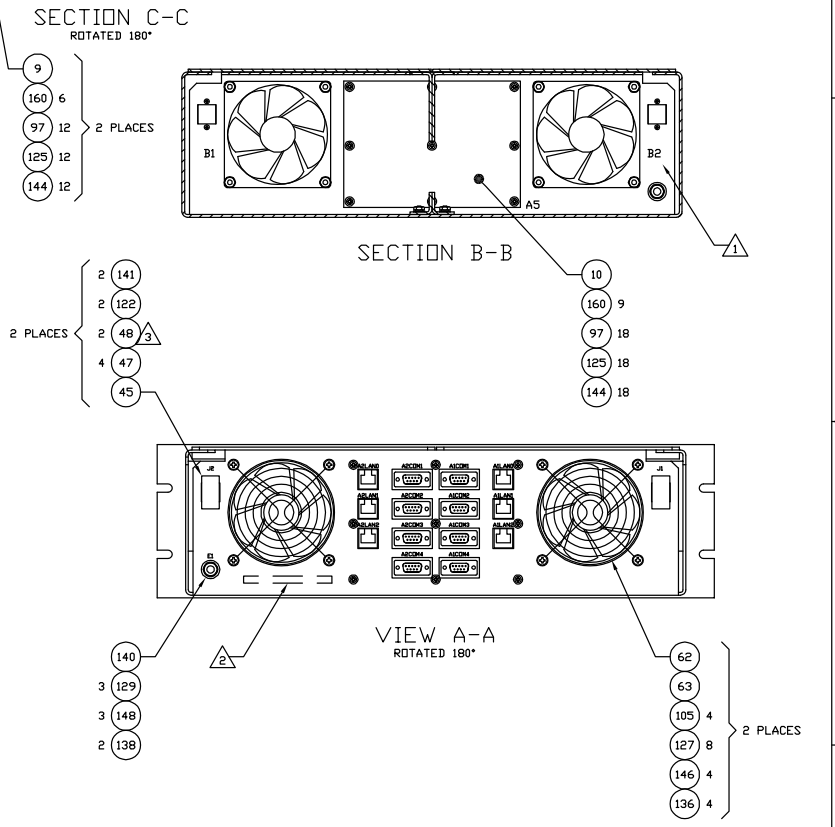
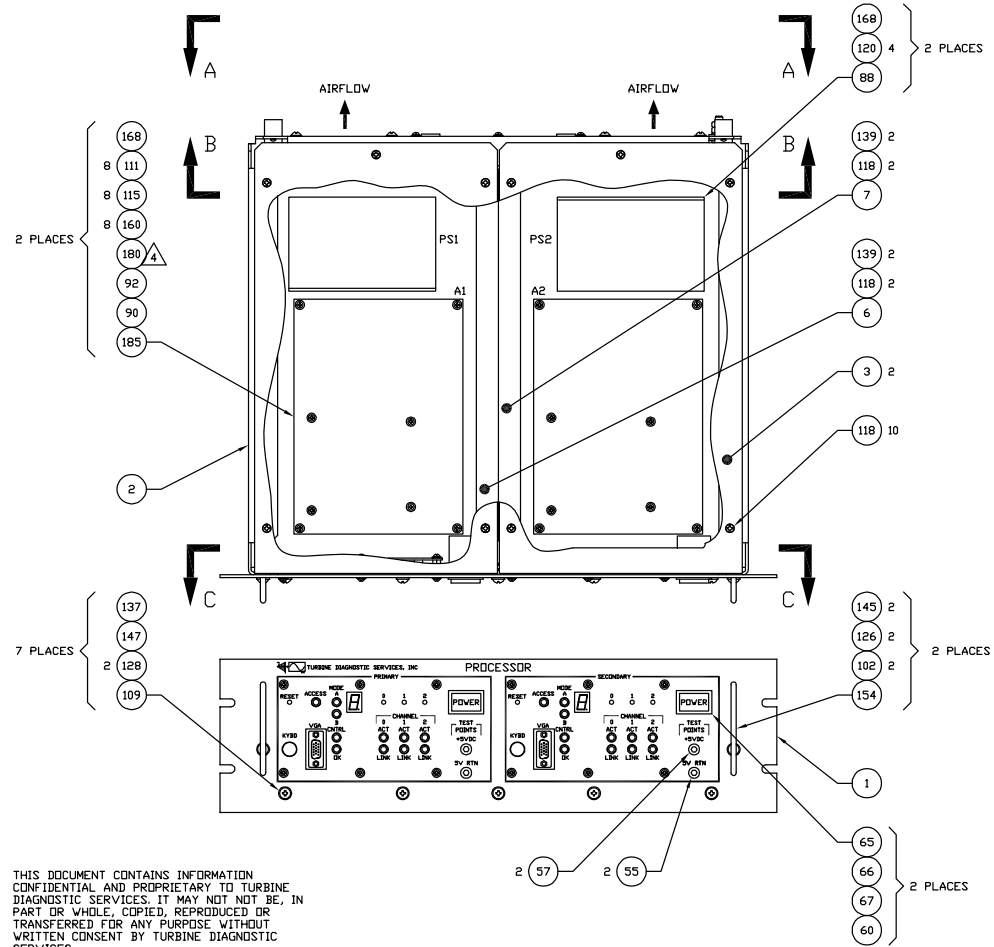
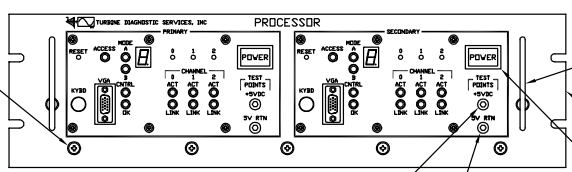
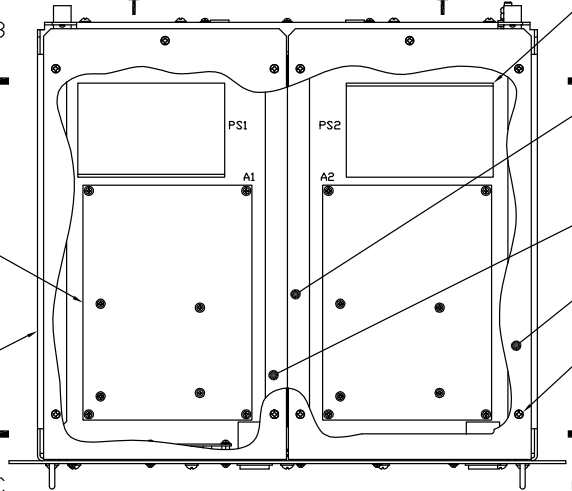
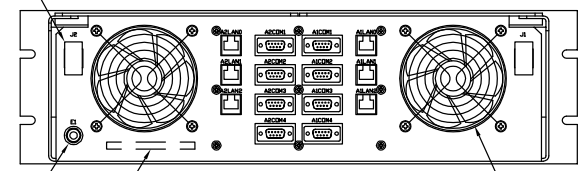
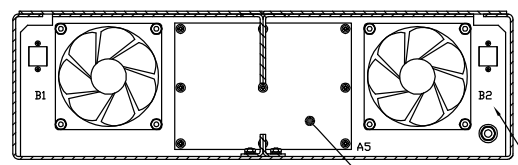
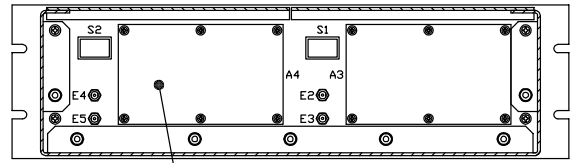


DWG NO.		REV		REVISIONS	
AA31300		SH	1	REV	B
ZONE	REV	DESCRIPTION	DATE	APPROVED	
A		REVISED & REDRAWN WITH CHANGES	03-02-24	E.J.COLDRN	
B		UPDATED PWR SPLYS, FIND NO. 88	04-02-19	E.J.COLDRN	

- NOTES:
- MARK REFERENCE DESIGNATIONS AND TERMINAL NUMBERS APPROXIMATELY WHERE SHOWN WITH .125 CHARACTERS IN CONTRASTING COLOR.
 - MARK PART NUMBER APPROXIMATELY WHERE SHOWN WITH .125 CHARACTERS IN CONTRASTING COLOR.
 - FOR KEYING COMBINATIONS SEE KEYING CHART.
 - INSTALL SOFTWARE ??????????????
 - REFERENCE SCHEMATIC DIAGRAM AA90130.

KEYING CHART	
CONNECTOR	KEY LOCATION
J1	3 & 6
J2	4 & 5



SEE SEPARATE PARTS LIST

THIS DOCUMENT CONTAINS INFORMATION CONFIDENTIAL AND PROPRIETARY TO TURBINE DIAGNOSTIC SERVICES. IT MAY NOT NOT BE, IN PART OR WHOLE, COPIED, REPRODUCED OR TRANSFERRED FOR ANY PURPOSE WITHOUT WRITTEN CONSENT BY TURBINE DIAGNOSTIC SERVICES.

UNLESS OTHERWISE SPECIFIED DIMENSIONS ARE IN INCHES TOLERANCES ARE:				CONTRACT NO.		TURBINE DIAGNOSTIC SERVICES, INC 2521 SUCCESS DR UNIT 2 ODESSA, FL 33556	
FRACTIONS DECIMALS ANGLES				APPROVALS		DATE	
TREATMENT				DRAWN		02-08-09	
FINISH				DESIGNED		02-08-09	
PART NEXT FINAL				CHECKED		02-08-19	
DASH NO.				APPROVED		02-08-20	
QTY RECD PER ASSY				APPLICATION		SCALE 1/2"	
				SIMILAR TO		ACT VT CALE WT	
				NEXT ASSY		USED ON	
				AA41000		1378	
				CONTRACT NO.		TITLE	
				AA31300		CHASSIS ASSEMBLY, PROCESSOR	
				REV		REV	
				B		B	
				SHEET		1 OF 1	